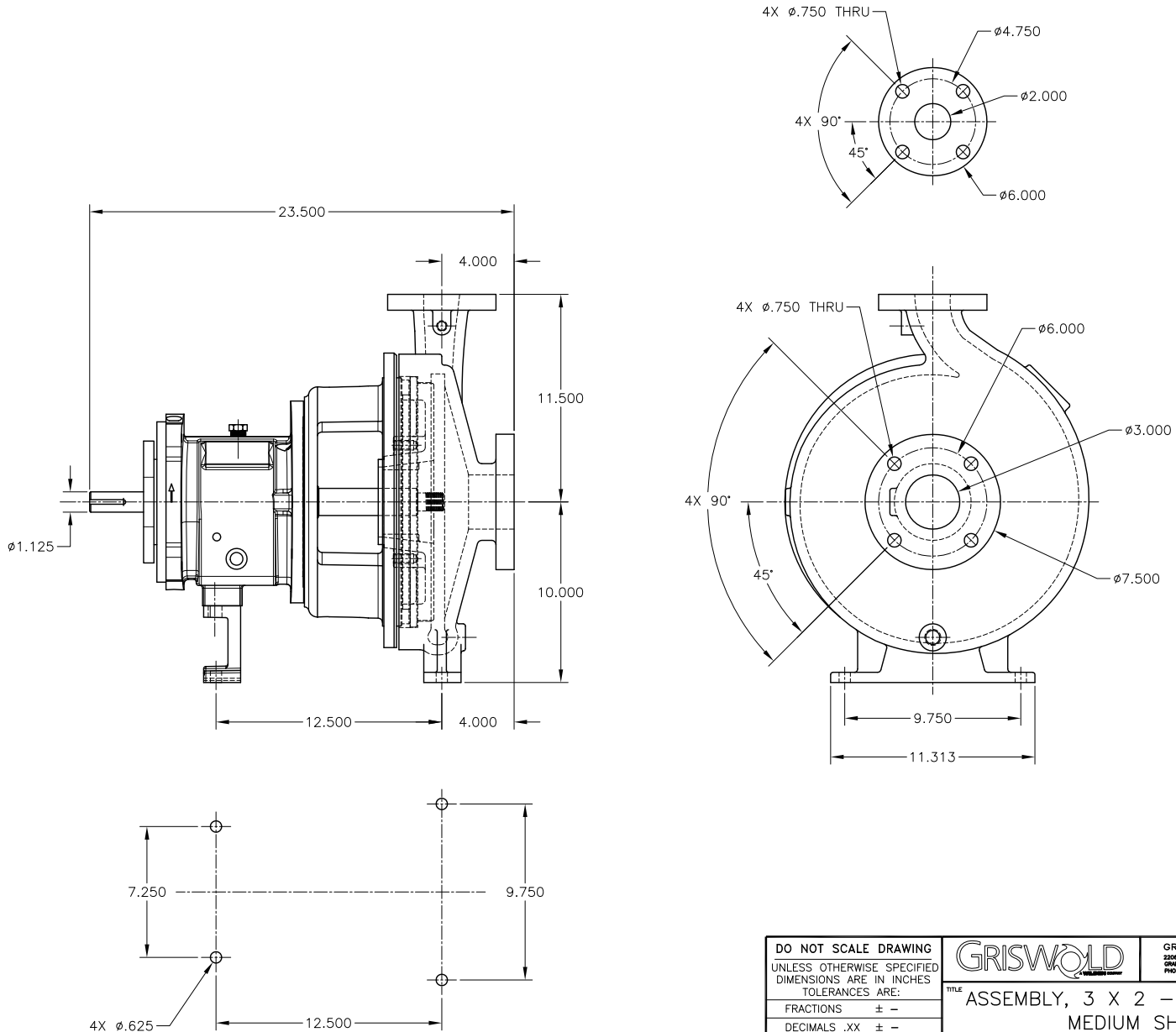


CAD generated and maintained drawing. All printed and electronic copies outside of Griswold's engineering database are "Uncontrolled" and shall be used for reference only.

REV.	DESCRIPTION	BY	APP.	DATE
A	3 x 2 -13 A30 ANSI ASSEMBLY	M.H.		

NOTES: UNLESS OTHERWISE SPECIFIED

1. DIMENSIONS AND TOLERANCES PER ANSI Y14.5M-1982.
2. * INDICATES DIMENSIONS AND/OR FEATURES MODIFIED ON CURRENT REVISION LEVEL.



THIS DOCUMENT AND ITS CONTENTS ARE PROPRIETARY TO WILSON PUMP AND ENGINEERING CO. ANY REPRODUCTION, DISCLOSURE OR USE OF THIS DOCUMENT IS EXPRESSLY PROHIBITED EXCEPT AS OTHERWISE AGREED TO IN WRITING.

DO NOT SCALE DRAWING		GRISWOLD		GRISWOLD PUMP COMPANY	
UNLESS OTHERWISE SPECIFIED DIMENSIONS ARE IN INCHES				32080 VAN BUREN ST. GRAND TERRACE, CA 92313 PHONE: (800) 843-9223, FAX: (800) 752-2929	
TOLERANCES ARE:		TITLE			
FRACTIONS \pm -		ASSEMBLY, 3 X 2 - 13 A30 ANSI			
DECIMALS .XX \pm -		MEDIUM SHAFT			
.XXX \pm -		DRAWN BY M. HIATT		DATE 12/08/10	
ANGLES \pm -		CHECKED BY		DRAWING NO.	
SCALE 1/1		APPROVED BY		DATE	
SHEET 1 OF 1				3213A30	
				REV. A	